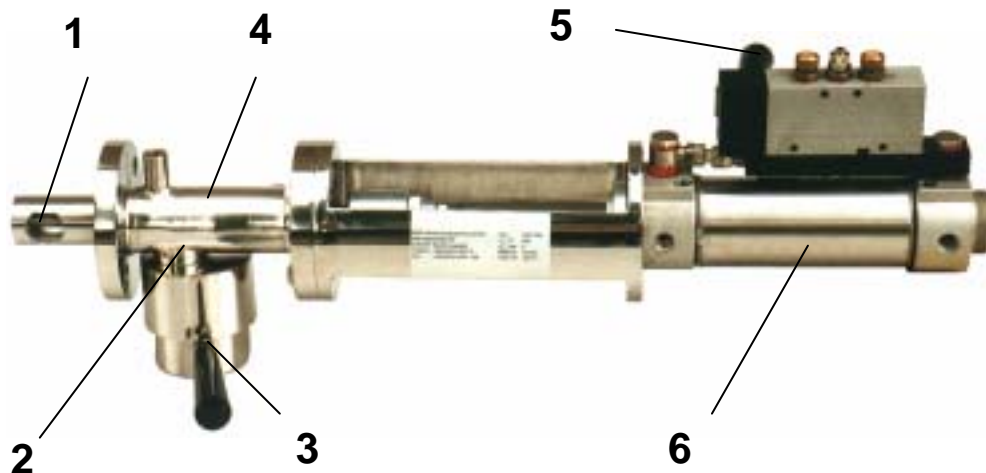


## Sample Valve EPV 25 (with heating jacket and sample cup holder)

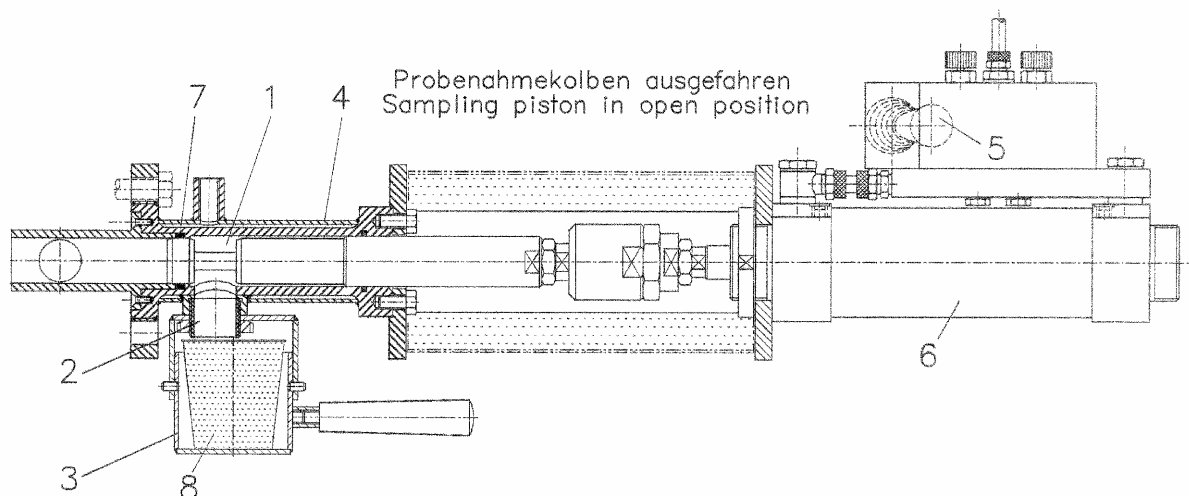


The core piece of the sample valve developed by RHE is a pneumatically operated piston with a sample chamber of defined contents (1).

Before the sampling operation, the sample chamber is located inside the product so that it is continuously immersed and a representative sample is guaranteed. The triple sealing by the circular slit metallic packing, the valve seat and a special elastomer seal (7) allows a sampling during the pressure as well as the vacuum operation of the corresponding production vessel or the pipe. This optimized design assures that at no time a connection between vessel content and sampling point could cause the leakage of the vessel. Even in the position "Open" the valve is pressure and vacuum tight.

By using the hand lever (5) the piston will be moved axially to the right by means of a pneumatic cylinder (6) so that the sample leaves the chamber gravimetrically at the exit nozzle (2). Upon request the valve can be equipped with a sample cup holder (3), screwed to the exit nozzle suitable for the use of standard one-way cups (8).

For special requirements the sample valve can be equipped with a jacket for heating (4) with steam or thermal oil. Special connecting flanges according to DIN or ANSI in various nominal widths as well as an automated version to be actuated from a process control system and limit switches to record the exact sampling time are available as options.



### Technical Data

|                                      |                      |
|--------------------------------------|----------------------|
| <b>Pressure range for sampling</b>   | <b>0 bis 6,0 bar</b> |
| <b>Sample temperature</b>            | <b>0 bis 300 °C</b>  |
| <b>Sample volume per stroke</b>      | <b>12 ml</b>         |
| <b>Material product wetted parts</b> | <b>1.4571/1.4435</b> |
| <b>piston sealing</b>                | <b>Chemraz/SS</b>    |
| <b>other parts</b>                   | <b>1.4571/1.4541</b> |
| <b>Connection flange</b>             | <b>DN 25 PN 16</b>   |
| <b>Installation orientation</b>      | <b>horizontal</b>    |